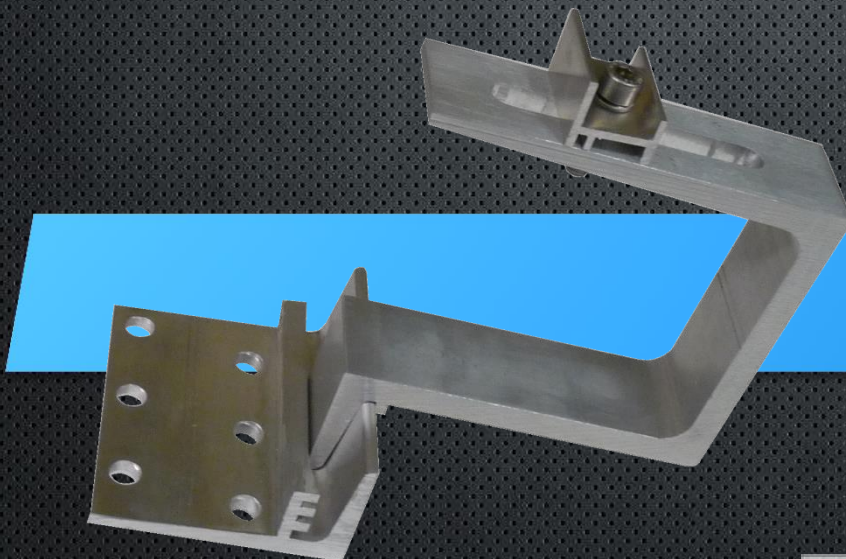




Product Datasheet

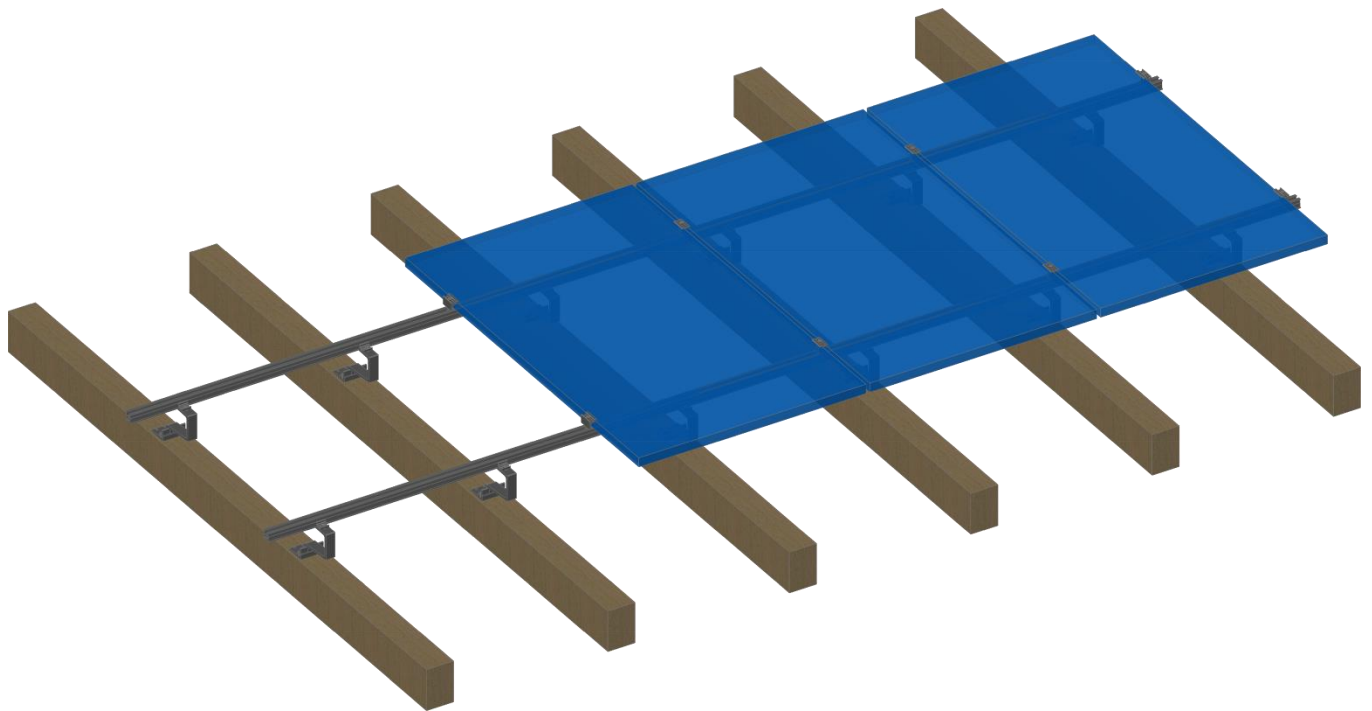
Mountingsystem Tiled roof Roof Hook ALU „EASY“



Item-Nr.: 271E

oberhauser
Bau » Systeme

Roof Hook ALU „EASY“



The EASY product range was developed by our engineers to meet the worldwide requirements of an efficient assembly system.

Besides high quality materials and an ergonomic design, the range of short assembly times has been considered as the main criterion.

Oberhauser Bau-Systeme combines high-quality materials, well thought-out construction and customer-oriented thinking to **"efficiency in detail"**.

- ✓ All components available separately
- ✓ High quality materials, very long shelf life cycles
- ✓ Stable construction, designed for high load
- ✓ Short assembly times, thanks to EASY system
- ✓ Universally applicable

System components



Roof Hook ALU „EASY“

Item-Nr.:	271E
Dimensions:	40mm x 10mm
Material:	Aluminium EN AW 6060
Unit:	1 pcs.

Single components



Roof Hook Baseplate Alu

Item-Nr.:	271G
Dimensions:	100mm x 86mm x 4mm/8mm
Material:	Aluminium EN AW 6060
Unit:	1 pcs.



Roof Hook Bracket Alu

Item-Nr.:	271B
Dimensions:	40mm x 9mm
Material:	Aluminium EN AW 6060
Unit:	1 pcs.



Cross Connector Alu universal

Item-Nr.:	7040
Dimensions:	40mm
Material:	Aluminium EN AW 6060
Unit:	1 pcs.



Allen Screw M8 x 25 DIN 912

Item-Nr.:	8825Z
Dimensions:	8 x 25 mm
Material:	Stainless Steel A2
Unit:	100 pcs.



Allen Screw M8 x 16 DIN 912

Item-Nr.:	8816Z
Dimensions:	8 x 16 mm
Material:	Stainless Steel A2
Unit:	100 pcs.



Hexagonal Nut with Serration M8 DIN 6923

Item-Nr.:	98MS
Dimensions:	8mm
Material:	Stainless Steel A2
Unit:	100 pcs.

oberhauser

Bau » Systeme

Oberhauser Bau-Systeme GmbH

Rohrbach-Bahnhof 18
84494 Niederbergkirchen

Tel.: +49 (0) 8635 69392- 0
Fax: +49 (0) 8635 69392-20

E-Mail: info@oberhauser-pv.de

